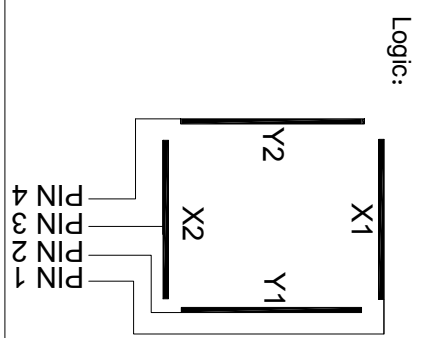


- Notes:
- 1.Type:Film to Glass
  - 2.Operating Voltage:≤10V
  - 3.Operation Temperature:-10℃~65℃  
Storage Temperature:-20℃~70℃
  - 4.Life Time:1,000,000 times
  - 5.Connect Material:FPC
  - 6.Response Time:≤10ms
  - 7.Linearity:≤1.5%
  - 8.Transmittance:≥78%
  - 9.Surface Hardness≥3H(pencil)
  - 10.Operation force:20g~100g
  - 11.Resistance:Y:100Ω-400Ω X:350Ω-900Ω



TOLERANCES  
(UNLESS OTHERWISE STATED)

DECIMALS	ANGLES	±0.5%
>2000MM	±2.00MM	
1600< X ≤2000MM	±1.20MM	
1200< X ≤1600MM	±0.80MM	
800< X ≤1200MM	±0.50MM	
400< X ≤800MM	±0.40MM	
120< X ≤400MM	±0.30MM	
30< X ≤120MM	±0.20MM	
<30MM	±0.10MM	

<b>GreenTouch</b>		GreenTouch Technology Co., Ltd	
Model No.:	GT-AW-154A-1	Size	15.4"
Structure	G+F	Unit	mm
Design	李俊	Date	2021.06.11
Check	符伟伟	Date	2021.06.11
Release	郑耀生	Date	2021.06.11
		Ratio	16:10
		Scale	1:1
		Page	1/1
		Version	AO