

# Product Specification

- ( ) Product Information
- ( ) Preliminary Specification
- (  ) Approval Specification

*Any modification of Spec is not allowed without SDC's permission.*

CUSTOMER	R/A Customer
DATE OF ISSUE	2016/06/19

MODEL NO.	GL750-C20-Z
EXTENSION CODE	-V(0)

<b>Customer Approval &amp; Feedback</b>

Approved by	2016/06/19
Prepared by	2016/06/19



# SPECIFICATION FOR APPROVAL

- ( ) Preliminary Specification
- ( ● ) Final Specification

Title	75.0" QWUXGA TFT LCD
-------	----------------------

BUYER	AVNET
MODEL	

SUPPLIER	LG Display Co., Ltd.
*MODEL	LC750EGY
SUFFIX	FJA2 (RoHS Verified)

APPROVED BY	SIGNATURE DATE
/	

Please return 1 copy for your confirmation with your signature and comments.

APPROVED BY	SIGNATURE DATE
Sungjun Lee / Team Leader	
<b>REVIEWED BY</b>	
Dongsan Kim / Project Leader	
<b>PREPARED BY</b>	
Youngjoo Hong / Engineer	

**TV Product Development Dept.  
LG Display Co., Ltd.**

## Product Specification

**CONTENTS**

Number	ITEM	Page
	COVER	-
	CONTENTS	1
	RECORD OF REVISIONS	2
1	GENERAL DESCRIPTION	3
2	ABSOLUTE MAXIMUM RATINGS	4
3	ELECTRICAL SPECIFICATIONS	5
3-1	ELECTRICAL CHARACTERISTICS	5
3-2	INTERFACE CONNECTIONS	7
3-3	SIGNAL TIMING SPECIFICATIONS	11
3-4	V by One SIGNAL SPECIFICATIONS	12
3-5	COLOR DATA REFERENCE	14
3-6	POWER SEQUENCE	15
4	OPTICAL SPECIFICATIONS	17
5	MECHANICAL CHARACTERISTICS	21
6	RELIABILITY	24
7	INTERNATIONAL STANDARDS	25
7-1	SAFETY	25
7-2	ENVIRONMENT	25
8	PACKING	26
8-1	INFORMATION OF LCM LABEL	26
8-2	PACKING FORM	26
9	PRECAUTIONS	27
9-1	MOUNTING PRECAUTIONS	27
9-2	OPERATING PRECAUTIONS	27
9-3	ELECTROSTATIC DISCHARGE CONTROL	28
9-4	PRECAUTIONS FOR STRONG LIGHT EXPOSURE	28
9-5	STORAGE	28
9-6	APPROPRIATE CONDITION FOR COMMERCIAL DISPLAY	28

## Product Specification

**RECORD OF REVISIONS**

Revision No.	Revision Date	Page	Description
0.1	Feb, 24, 2016	-	Preliminary Specification (First Draft)
0.2	Apr, 14, 2016	3	Surface Treatment Update
		5,6	Electrical characteristics Update
		8	MODULE CONNECTOR(CN2) PIN CONFIGURATION Update
		15	Power Sequence Update
		16	Add Sequence for LED Driver
		17	Change Color Gamut typ.
		21	MECHANICAL CHARACTERISTICS Update
		22	FRONT VIEW Update
0.3	May, 18, 2016	23	REAR VIEW Update
		3	Power consumption, Weight, Surface Treatment Update
		6	Electrical characteristics Update
		8	MODULE CONNECTOR(CN2) PIN CONFIGURATION Update
		17	OPTICAL CHARACTERISTICS Update
0.4	Jun. 09. 2016	21,22,23	MECHANICAL CHARACTERISTICS Update
		22	MECHANICAL CHARACTERISTICS Update
0.5	Jun. 24. 2016	23	MECHANICAL CHARACTERISTICS Update
1.0	Jul. 06. 2016	8	MODULE CONNECTOR(CN2) PIN CONFIGURATION Update
		11	Signal Timing Specifications note 4 Update
		32	APPENDIX- II-2 Pallet Label Update
		34,35	APPENDIX- IV-1,2 Update

## Product Specification

## 1. General Description

The LC750EQY is a Color Active Matrix Liquid Crystal Display with an integral Light Emitting Diode (LED) backlight system. The matrix employs a-Si Thin Film Transistor as the active element.

It is a transmissive display type which is operating in the normally black mode. It has a 74.52 inch diagonally measured active display area with QWUXGA resolution (2160 vertical by 3840 horizontal pixel array).

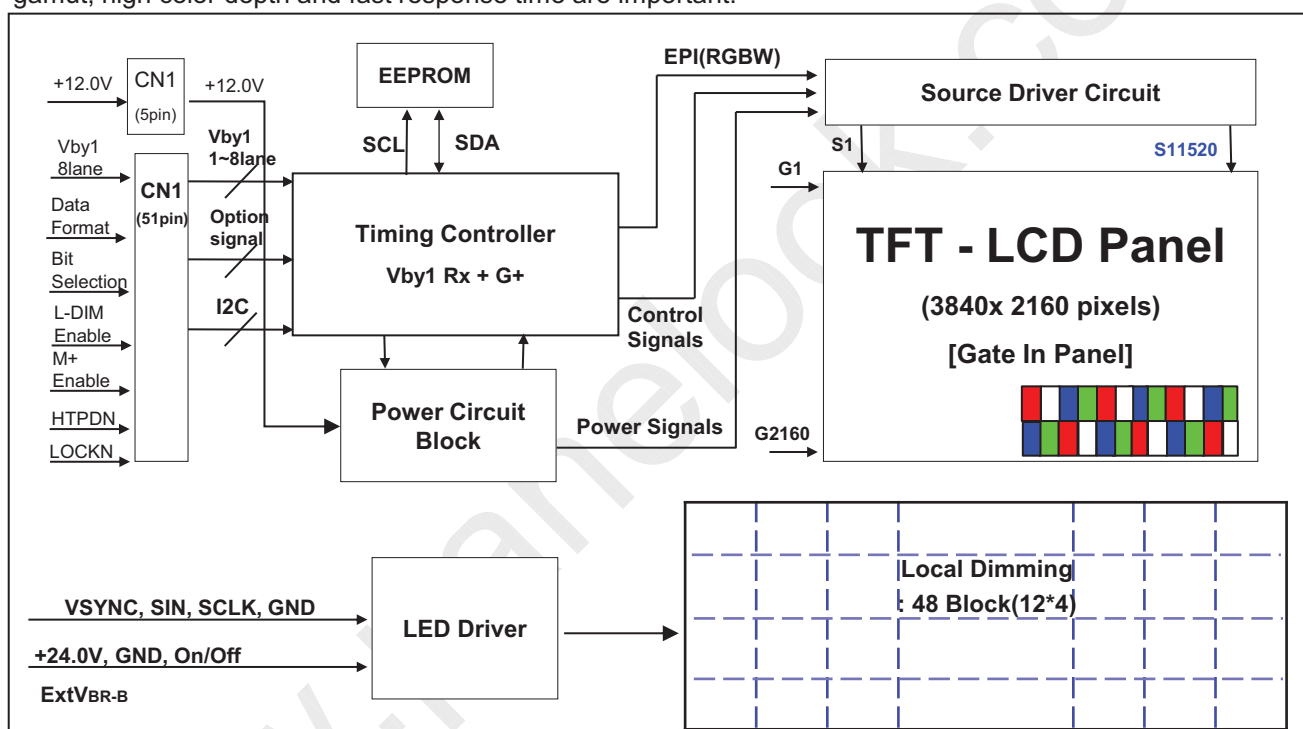
Sub-pixels are constructed with Red, Green, Blue and White. Each pixel is divided into RGB or WRG or BWR or GBW or dots which are arranged in vertical stripes.

Gray scale or the luminance of the sub-pixel color is determined with a 10-bit gray scale signal for each dot.

Therefore, it can present a palette of more than 1.07Billion colors.

It has been designed to apply the 10-bit 8 Lane V by One interface.

It is intended to support Commercial Display where high brightness, super wide viewing angle, high color gamut, high color depth and fast response time are important.



Active Screen Size	74.52 inches(1892.7 3mm) diagonal
Outline Dimension	1682.4*975.4*60.65mm
Pixel Pitch	0.429 mm x 0.429 mm
Pixel Format	3840 horiz. by 2160 vert. Pixels, RGB stripe arrangement
Color Depth	10bit(D), 1.07Billion colors
Luminance, White	2000cd/m <sup>2</sup> (Center 1point ,Typ.)
Viewing Angle (CR>10)	Viewing angle free ( R/L 178 (Min.), U/D 178 (Min.))
Power Consumption	Total 410.W (Typ )
Weight	27.6 Kg (Typ.), 48.5 Kg(Max)
Display Mode	Transmissive mode, Normally black
Surface Treatment	Hard coating(2H), Anti-glare treatment of the front polarizer (Haze 3%(Typ.))
Possible display type	Landscape and Portrait Enabled

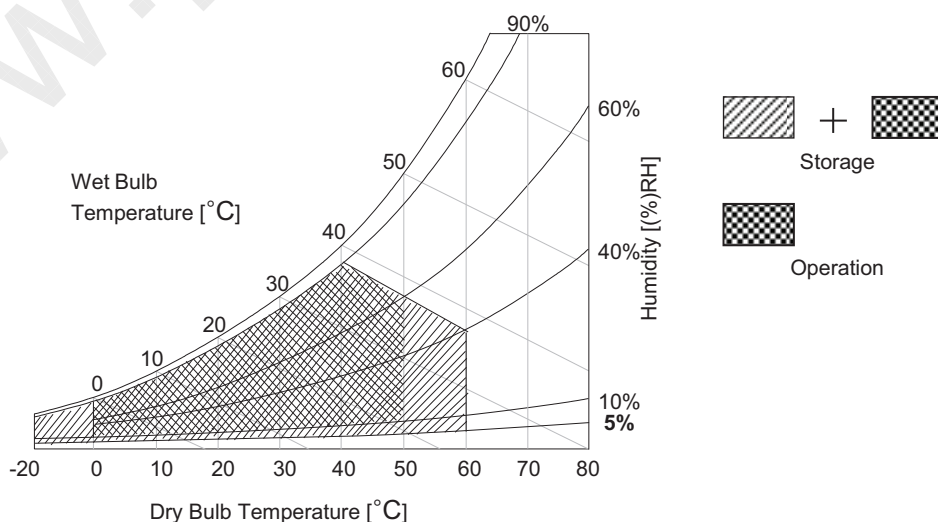
## 2. Absolute Maximum Ratings

The following items are maximum values which, if exceeded, may cause faulty operation or permanent damage to the LCD module.

**Table 1. ABSOLUTE MAXIMUM RATINGS**

Parameter		Symbol	Value		Unit	Note
			Min	Max		
Power Input Voltage	LCD Circuit	VLCD	-0.3	+14.0	VDC	
	Driver	VBL	-0.3	+ 27.0	VDC	
Driver Control Voltage	ON/OFF	V <sub>OFF</sub> / V <sub>ON</sub>	-0.3	+3.9	VDC	1
	Brightness	EXTVBR-B	0.0	+3.9	VDC	
T-Con Option Selection Voltage		V <sub>LOGIC</sub>	-0.3	+4.0	VDC	
Operating Temperature		T <sub>OP</sub>	0	+50	°C	2,3
Storage Temperature		T <sub>ST</sub>	-20	+60	°C	
Panel Front Temperature		T <sub>SUR</sub>	-	+68	°C	4
Operating Ambient Humidity		H <sub>OP</sub>	10	90	%RH	2,3
Storage Humidity		H <sub>ST</sub>	5	90	%RH	

1. Ambient temperature condition ( $T_a = 25 \pm 2 \text{ }^\circ\text{C}$ )
2. Temperature and relative humidity range are shown in the figure below.  
Wet bulb temperature should be Max 39°C, and no condensation of water.
3. Gravity mura can be guaranteed below 40°C condition.
4. The maximum operating temperatures is based on the test condition that the surface temperature of display area is less than or equal to 68°C with LCD module alone in a temperature controlled chamber. Thermal management should be considered in final product design to prevent the surface temperature of display area from being over 68°C. The range of operating temperature may be degraded in case of improper thermal management in final product design.



## Product Specification

### 3. Electrical Specifications

#### 3-1. Electrical Characteristics

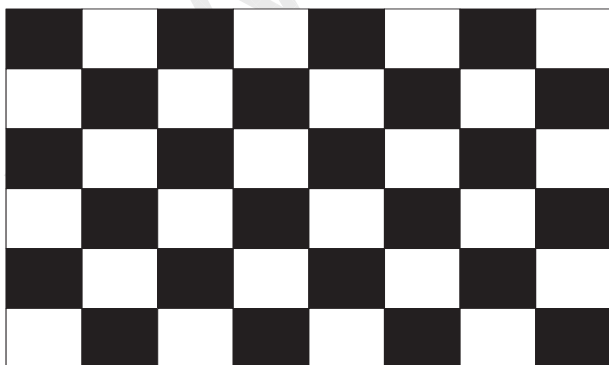
It requires two power inputs. One is employed to power for the LCD circuit. The other is used for the LED backlight and LED Driver circuit.

**Table 2. ELECTRICAL CHARACTERISTICS**

Parameter	Symbol	Value			Unit	notes	
		Min	Typ	Max			
<b>Circuit :</b>							
Power Input Voltage	V <sub>LCD</sub>	10.8	12.0	13.2	V <sub>dc</sub>		
Power Input Current	I <sub>LCD</sub>	-	1490	1930	mA	1	
		-	2350	3050	mA	2	
T-CON Option Selection Voltage	Input High Voltage	V <sub>IH</sub>	2.7	-	3.6	V <sub>DC</sub>	
	Input Low Voltage	V <sub>IL</sub>	0	-	0.7	V <sub>DC</sub>	
Power Consumption	P <sub>LCD</sub>	-	17.9	23.2	Watt	1	
Rush current	I <sub>RUSH</sub>	-	-	10	A	3	

- Notes
1. The specified current and power consumption are under the  $V_{LCD}=12.0V$ ,  $T_a=25 \pm 2^\circ C$ ,  $f_v=60Hz$  condition, and mosaic pattern(8 x 6) is displayed and  $f_v$  is the frame frequency.
  2. The current is specified at the maximum current pattern.
  3. The duration of rush current is about 2ms and rising time of power input is 0.5ms (min.).
  4. Ripple voltage level is recommended under  $\pm 5\%$  of typical voltage

White : 1023 Gray  
Black : 0 Gray



**Mosaic Pattern(8 x 6)**

Full White  
R : 1023 Gray, G : 1023 Gray, B : 1023 Gray



**Max Current Pattern**

## Product Specification

Table 3. ELECTRICAL CHARACTERISTICS (Continue)

Parameter	Symbol	Values			Unit	Notes	
		Min	Typ	Max			
LED Driver :							
Power Supply Input Voltage	VBL	21.6	24.0	26.4	Vdc	1	
Power Supply Input Current	IBL	-	24.2	26.8	A	1	
Power Supply Input Current (In-Rush)	In-rush	-	-	26.8	A	VBL = 21.6V ExtVBR-B=100% 4	
Power Consumption (Total)	PBL	-	580.8	707.5	W	1	
Input Voltage for Control System Signals	On/Off	On	V on	2.5	-	3.6	Vdc
		Off	V off	-0.3	0.0	0.7	Vdc
	Brightness Adjust	ExtVBR-B	1	-	100	%	On Duty 6
	PWM Frequency for NTSC & PAL	PAL		100		Hz	3
		NTSC		120		Hz	3
	Pulse Duty Level (PWM)	HighLevel	2.5	-	3.6	Vdc	HIGH : on duty LOW : off duty
Low Level		0.0	-	0.7	Vdc		
LED :							
Life Time		50,000			Hrs	6	

## Notes :

- Electrical characteristics are determined after the unit has been 'ON' and stable for approximately 60 minutes at  $25 \pm 2^\circ\text{C}$ . The specified current and power consumption are under the typical supply Input voltage 24V and VBR (ExtVBR-B : 100%), it is total power consumption.
- LGD recommend that the PWM freq. is synchronized with One time harmonic of V\_sync signal of system. Though PWM frequency is over 120Hz (max 252Hz), function of LED Driver is not affected.
- The duration of rush current is about 200ms. This duration is applied to LED on time
- Even though inrush current is over the specified value, there is no problem if I<sup>2</sup>T spec of fuse is satisfied.
- Ext\_PWM Signal have to input available duty range.  
Between 99% and 100% ExtVBR-B duty have to be avoided. ( 99% < ExtVBR-B < 100%)  
But ExtVBR-B 0% and 100% is possible.
- The life time is determined as the time at which brightness of the LED is 50% compared to that of initial value at the typical LED current on condition of continuous operating at  $25 \pm 2^\circ\text{C}$ , based on duty 100%.





## Product Specification

### 3-2. Interface Connections

This LCD module employs three kinds of interface connection, 5-pin connector and 51-pin connector are used for the module electronics and 14-pin, 12-pin connector is used for the integral backlight system.

#### 3-2-1. LCD Module

- LCD Connector(CN1): 20037WR-H05 (manufactured by YEONHO)

**Table 4-1. MODULE CONNECTOR(CN1) PIN CONFIGURATION**

No	Symbol	Description
1	GND	Ground
2	GND	Ground
3	VLCD	Power Supply +12.0V
4	VLCD	Power Supply +12.0V
5	VLCD	Power Supply +12.0V

## Product Specification

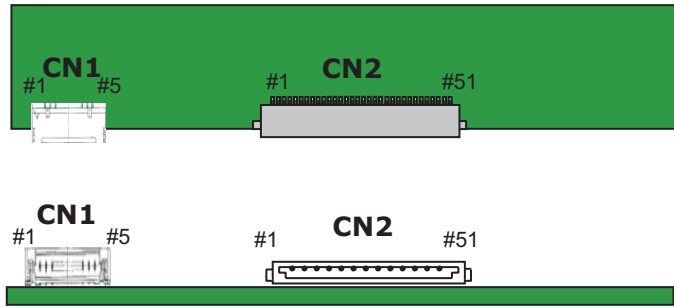
- LCD Connector(CN2): FI-RXE51S-HF (manufactured by JAE) or compatible or GT05S-51S-H38 (manufactured by LSM) or IS050-C51B-C39-C(manufactured by UJU)

Table 4-2. MODULE CONNECTOR(CN2) PIN CONFIGURATION

No	Symbol	Description	No	Symbol	Description
1	NC	No Connection(Notes 2)	27	GND	Ground
2	NC	No Connection(Notes 2)	28	Rx0n	V-by-One HS Data Lane 0
3	NC	No Connection(Notes 2)	29	Rx0p	V-by-One HS Data Lane 0
4	NC	No Connection(Notes 2)	30	GND	Ground
5	NC	No Connection(Notes 2)	31	Rx1n	V-by-One HS Data Lane 1
6	NC	No Connection(Notes 2)	32	Rx1p	V-by-One HS Data Lane 1
7	NC	No Connection(Notes 2)	33	GND	Ground
8	NC	No Connection(Notes 2)	34	Rx2n	V-by-One HS Data Lane 2
9	NC	No Connection	35	Rx2p	V-by-One HS Data Lane 2
10	GND	Ground	36	GND	Ground
11	GND	Ground	37	Rx3n	V-by-One HS Data Lane 3
12	GND	Ground	38	Rx3p	V-by-One HS Data Lane 3
13	GND	Ground	39	GND	Ground
14	NC	NO CONNECTION	40	Rx4n	V-by-One HS Data Lane 4
15	Input Mode	Vx1 Input Data Format 'L'=Non-Division , 'H'=2-Division	41	Rx4p	V-by-One HS Data Lane 4
16	NC	No Connection	42	GND	Ground
17	NC	No Connection	43	Rx5n	V-by-One HS Data Lane 5
18	NC	No Connection	44	Rx5p	V-by-One HS Data Lane 5
19	NC	No Connection	45	GND	Ground
20	NC	No Connection	46	Rx6n	V-by-One HS Data Lane 6
21	Bit_SEL	'H' = 10bit , 'L' = 8bit	47	Rx6p	V-by-One HS Data Lane 6
22	LOCAL_ON	H' = Enable	48	GND	Ground
23	M+ Bypass	'H' = RGB, 'L' = M+	49	Rx7n	V-by-One HS Data Lane 7
24	GND	Ground	50	Rx7p	V-by-One HS Data Lane 7
25	HTPDN	Hot plug detect	51	GND	Ground
26	LOCKN	Lock detect	-	-	-

- notes
1. All GND (ground) pins should be connected together to the LCD module's metal frame.
  2. #1~#8 NC (No connection) : These pins are used for back up power source, V<sub>LCD</sub> (power input). These pins are should be connected together.
  3. All Input levels of V-by-One signals are based on the V-by-One HS Standard Version 1.4.
  4. #9 & #14 & #16 ~#20 NC(No Connection) : These pins are used only for LGD (Do not connect)
  5. Specific pin (#22) is used for Local Dimming function of the LCD module.  
If not used, these pins are no connection. (Please see the **Appendix IV-2** for more information.)
  6. About specific pin (#15) , Please see the **Appendix VI**.

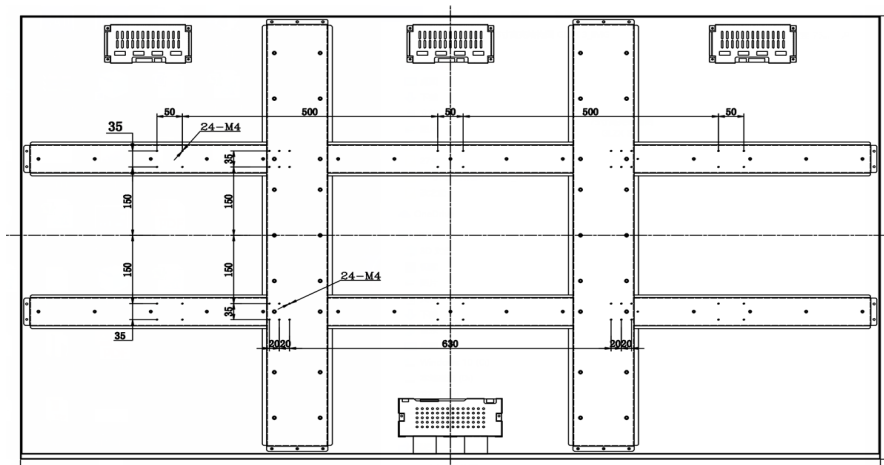
Product Specification



Rear view of LCM

## Product Specification

## 3-2-2. Backlight Module



## 2.1 Board A

P001 PH2.0-14PIN (2.0mm\*14)      P002 PH2.0-2PIN (2.0mm\*2)

Pin NO.	symbol	P001 Description	P002 Description	note
1	VCC	Power Supply Voltage	Light sensor negative pole -	
2	VCC	Power Supply Voltage	Light sensor positive pole +	
3	VCC	Power Supply Voltage		
4	VCC	Power Supply Voltage		
5	VCC	Power Supply Voltage		
6	GND	Power ground		
7	GND	Power ground		
8	GND	Power ground		
9	GND	Power ground		
10	GND	Power ground		
11	NC	Not connect		
12	ON/OFF	Output enable signal		
13	NC	Not connect		
14	NC	Not connect		

## 2.2 Board B C D

P001 PH2.0-14PIN (2.0mm\*14)      P002 PH2.0-2PIN (2.0mm\*2)

Pin NO.	symbol	P001 Description	P002 Description	note
1	VCC	Power Supply Voltage	NC	
2	VCC	Power Supply Voltage	NC	
3	VCC	Power Supply Voltage		
4	VCC	Power Supply Voltage		
5	VCC	Power Supply Voltage		
6	GND	Power ground		
7	GND	Power ground		
8	GND	Power ground		
9	GND	Power ground		
10	GND	Power ground		
11	NC	Not connect		
12	NC	Not connect		
13	NC	Not connect		
14	NC	Not connect		

## Product Specification

**3-3. Signal Timing Specifications**

Table 6 shows the signal timing required at the input of the LVDS transmitter. All of the interface signal timings should be satisfied with the following specification for normal operation.

**Table 6. TIMING TABLE (DE Only Mode)**

ITEM		Symbol	Min	Typ	Max	Unit	Note
Horizontal	Display Period	$t_{HV}$	480	480	480	$t_{CLK}$	3840/8
	Blank	$t_{HB}$	60	70	120	$t_{CLK}$	1
	Total	$t_{HP}$	540	550	600	$t_{CLK}$	
Vertical	Display Period	$t_{VV}$	2160	2160	2160	Lines	
	Blank	$t_{VB}$	40	90	600	Lines	1
	Total	$t_{VP}$	2200	2250	2760	Lines	

ITEM		Symbol	Min	Typ	Max	Unit	Note
Frequency	DCLK	$f_{CLK}$	67	74.25	78.00	MHz	594/8
	Horizontal	$f_H$	121.8	135	140	KHz	2
	Vertical	$f_V$	47	60	63	Hz	2, 4

notes: 1. The input of HSYNC & VSYNC signal does not have an effect on normal operation (DE Only Mode).  
If you use spread spectrum of EMI, add some additional clock to minimum value for clock margin.

2. The performance of the electro-optical characteristics may be influenced by variance of the vertical refresh rate and the horizontal frequency

3. Spread Spectrum Rate (SSR) is limited to  $\pm 0.5\%$  center spread at 30KHz

※ Timing should be set based on clock frequency.

4. The performance of the electro-optical characteristics may be influenced by Harmonic of vertical refresh rate and Ext\_PWM Input Duty

### 3-4. V by One input signal Characteristics

#### 3-4-1. V by One Input Signal Timing Diagram

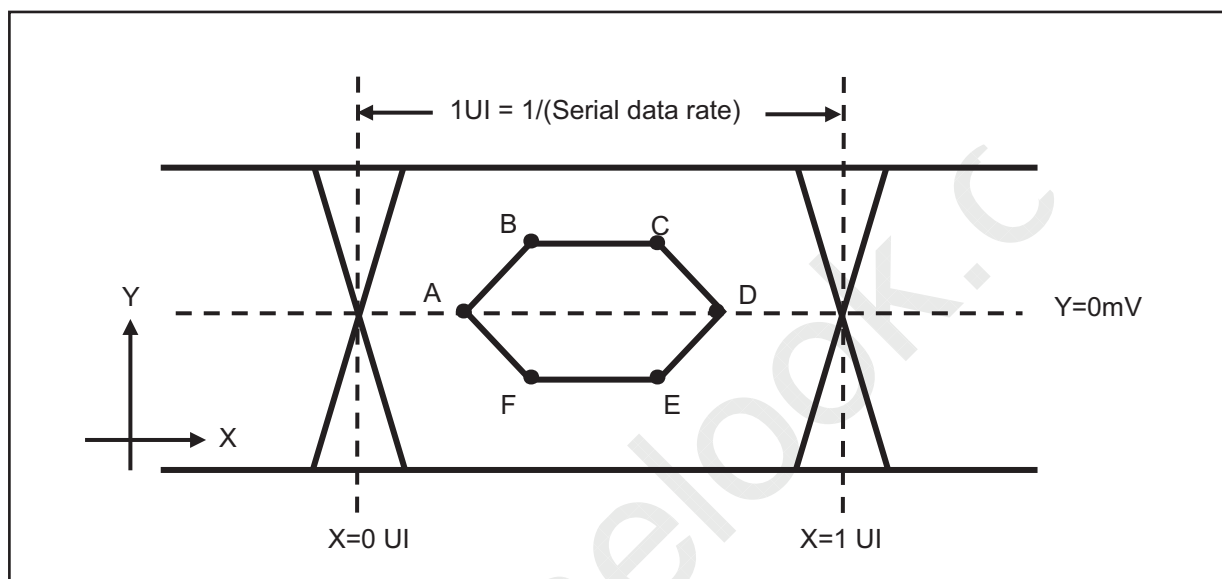


Table7. Eye Mask Specification

	X[UI]	Note	Y[mV]	Note
A	0.25 (max)	2	0	-
B	0.3 (max)	2	50	3
C	0.7(min)	3	50	3
D	0.75(min)	3	0	-
E	0.7(min)	3	-50	3
F	0.3(max)	2	-50	3

notes 1. All Input levels of V by One signals are based on the V by One HS Standard Ver. 1.4

2. This is allowable maximum value.

3. This is allowable minimum value.

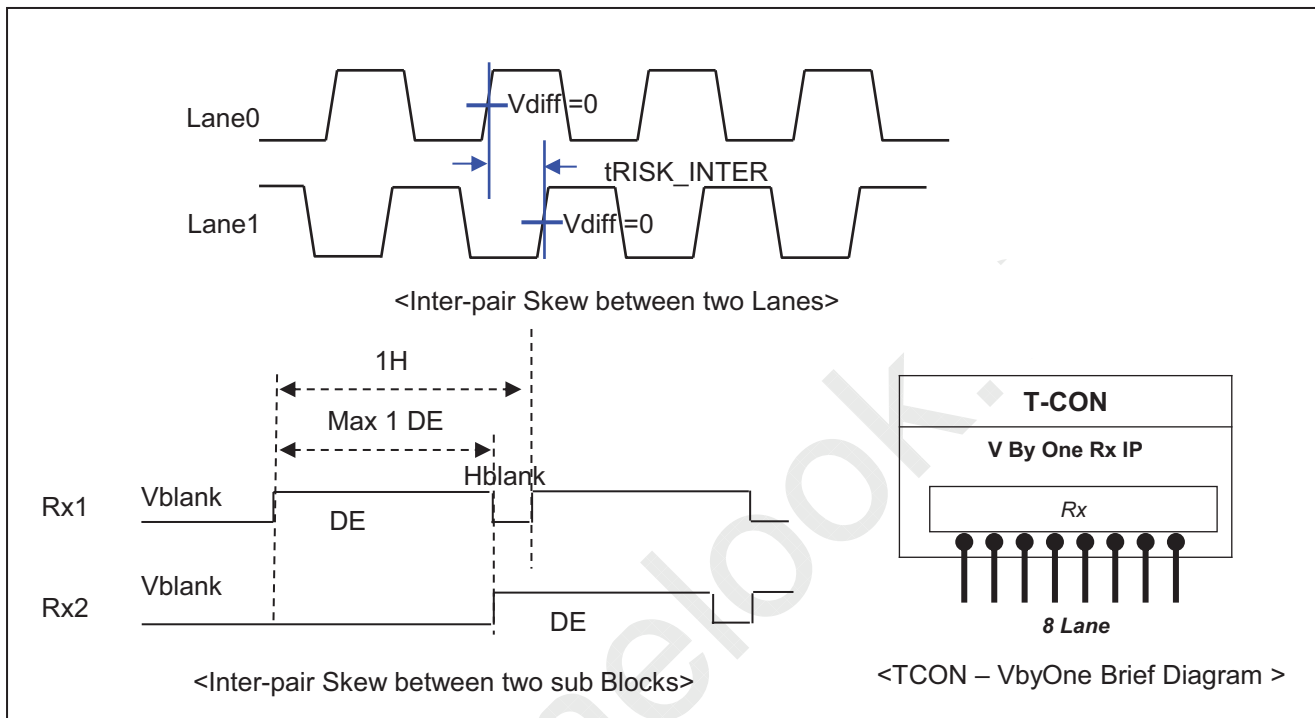
4. The eye diagram is measured by the oscilloscope and receiver CDR characteristic must be emulated.

- PLL bandwidth : 15 Mhz

- Damping Factor : 1

Product Specification

3-4-2. V by One Input Signal Characteristics



Description	Symbol	Min	Max	Unit	notes
Allowable inter-pair skew between lanes	tRISK_INTER	-	5	UI	1,3
Allowable iner-pair skew between sub-blocks	tRISK_BLOCK	-	1	DE	1,4

Notes 1.1UI = 1/serial data rate

- 2. it is the time difference between the true and complementary single-ended signals.
- 3. it is the time difference of the differential voltage between any two lanes in one sub block.
- 4. it is the time difference of the differential voltage between any two blocks in one IP.

## Product Specification

**3-5. Color Data Reference**

The brightness of each primary color (red, green, blue) is based on the 10bit or 8bit gray scale data input for the color. The higher binary input, the brighter the color. Table 8 provides a reference for color versus data input.

**Table 8. COLOR DATA REFERENCE**

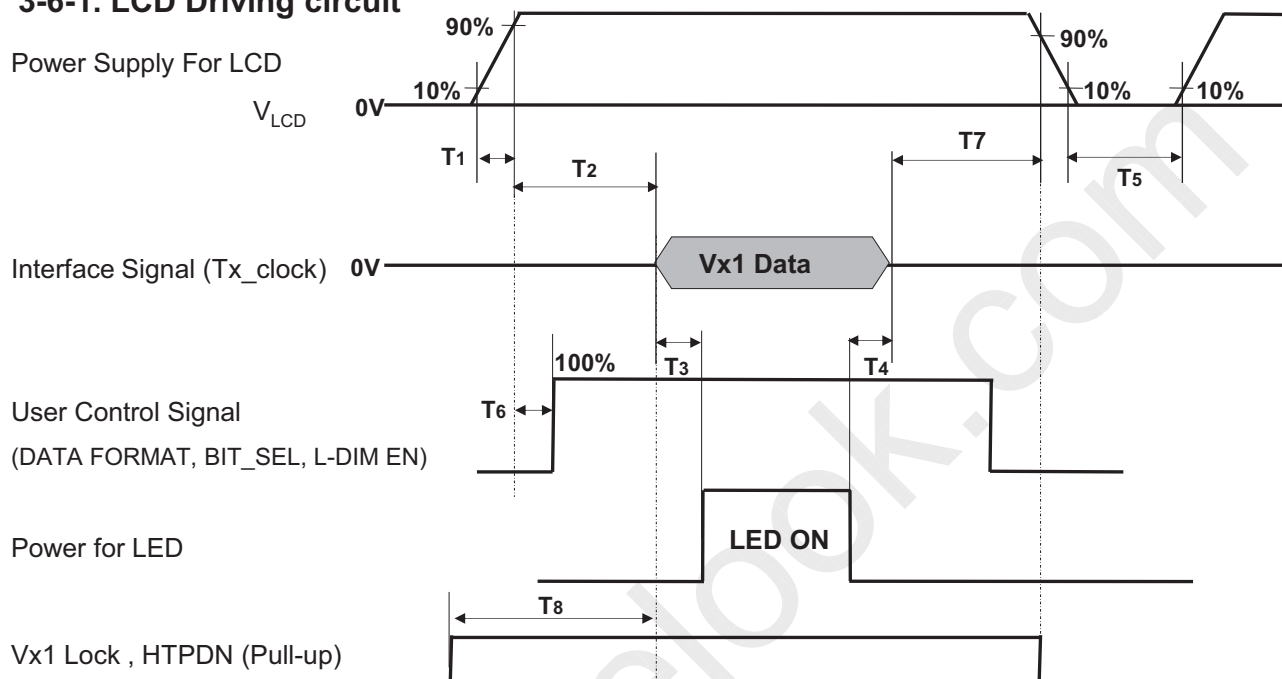
Packer input & Unpacker output		30bpp RGB (10bit)	24bpp RGB (8bit)
Byte0	D[0]	R[2]	R[0]
	D[1]	R[3]	R[1]
	D[2]	R[4]	R[2]
	D[3]	R[5]	R[3]
	D[4]	R[6]	R[4]
	D[5]	R[7]	R[5]
	D[6]	R[8]	R[6]
	D[7]	R[9]	R[7]
Byte1	D[8]	G[2]	G[0]
	D[9]	G[3]	G[1]
	D[10]	G[4]	G[2]
	D[11]	G[5]	G[3]
	D[12]	G[6]	G[4]
	D[13]	G[7]	G[5]
	D[14]	G[8]	G[6]
	D[15]	G[9]	G[7]
Byte2	D[16]	B[2]	B[0]
	D[17]	B[3]	B[1]
	D[18]	B[4]	B[2]
	D[19]	B[5]	B[3]
	D[20]	B[6]	B[4]
	D[21]	B[7]	B[5]
	D[22]	B[8]	B[6]
	D[23]	B[9]	B[7]
Byte3	D[24]	Don't care	
	D[25]	Don't care	
	D[26]	B[0]	
	D[27]	B[1]	
	D[28]	G[0]	
	D[29]	G[1]	
	D[30]	R[0]	
	D[31]	R[1]	

Notes 1. 30bpp RGB (10bit) is 4 byte mode, otherwise (24bpp RGB) 3byte mode



### 3-6. Power Sequence

#### 3-6-1. LCD Driving circuit



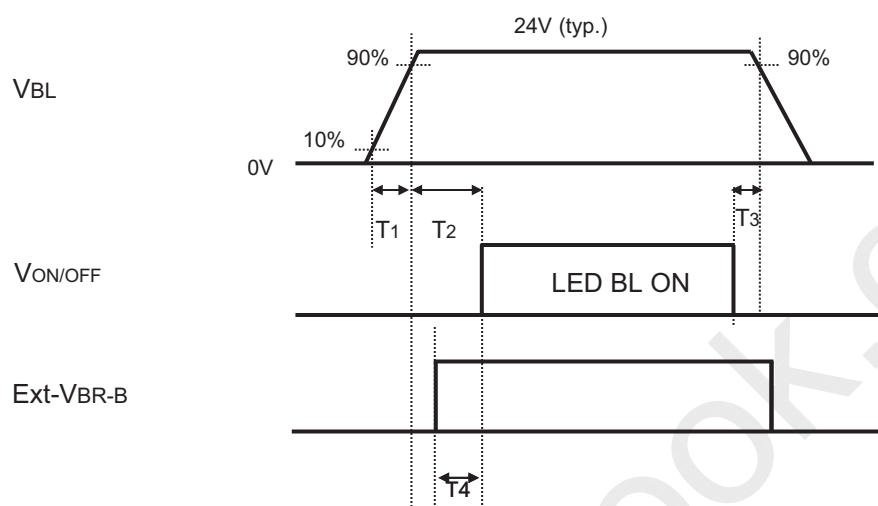
Parameter	Value			Unit	Note
	Min	Typ	Max		
T1	0.5	-	20	ms	1
T2	0	-	-	ms	2
T3	400	-	-	ms	3
T4	100	-	-	ms	3
T5	3.0	-	-	s	4
T6	0	-	T2	ms	5
T7	0	-	-	ms	6
T8	0	-	-	ms	

- Note :
1. Even though T1 is over the specified value, there is no problem if I2T spec of fuse is satisfied.
  2. If T2 is satisfied with specification after removing LVDS Cable, there is no problem.
  3. The T3 / T4 is recommended value, the case when failed to meet a minimum specification, abnormal display would be shown. There is no reliability problem.
  4. T5 should be measured after the Module has been fully discharged between power off and on period.
  5. If the on time of signals (Interface signal and user control signals) precedes the on time of Power ( $V_{LCD}$ ), it will be happened abnormal display. When T6 is NC status, T6 doesn't need to be measured.
  6. It is recommendation specification that T7 has to be 0ms as a minimum value.
    - ※ Please avoid floating state of interface signal at invalid period.
    - ※ When the power supply for LCD ( $V_{LCD}$ ) is off, be sure to pull down the valid and invalid data to 0V.

## Product Specification

## 3-6-2. Sequence for LED Driver

Power Supply For LED Driver



## 3-6-2. Dip condition for LED Driver

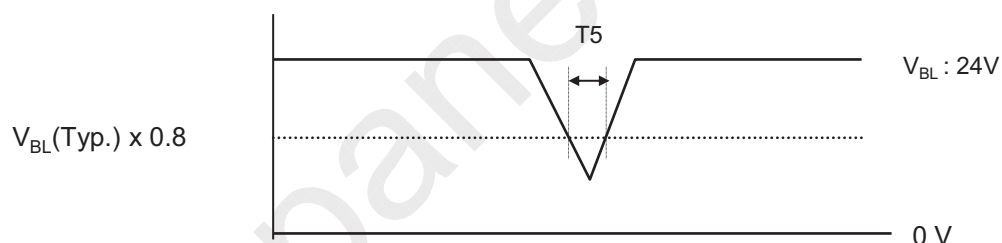


Table 11. Power Sequence for LED Driver

Parameter	Values			Units	Note
	Min	Typ	Max		
T1	20	-	-	ms	1
T2	500	-	-	ms	
T3	10	-	-	ms	
T4	0	-	-	ms	
T5	-	-	10	ms	$V_{BL}(Typ) \times 0.8$

Note

- T1 describes rising time of 0V to 24V and this parameter does not applied at restarting time. Even though T1 is over the specified value, there is no problem if I<sup>2</sup>T spec of fuse is satisfied.

## Product Specification

#### 4. Optical Specification

Optical characteristics are determined after the unit has been 'ON' and stable in a dark environment at  $25 \pm 2^\circ\text{C}$ . The values are specified at distance 50cm from the LCD surface at a viewing angle of  $\Phi$  and  $\theta$  equal to  $0^\circ$ . FIG. 1 shows additional information concerning the measurement equipment and method.

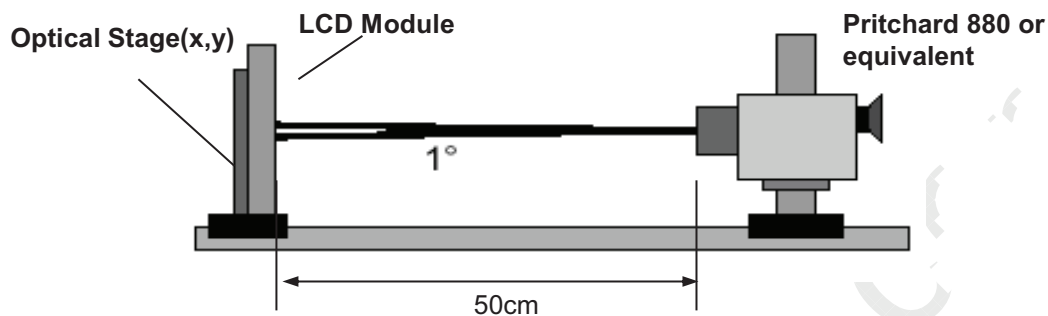


FIG. 1 Optical Characteristic Measurement Equipment and Method

$T_a = 25 \pm 2^\circ\text{C}$ ,  $V_{\text{LCD}} = 12.0\text{V}$ ,  $f_v = 60\text{Hz}$ ,  $D_{\text{clk}} = 74.25\text{MHz}$ ,

$\text{EXTV}_{\text{BR-B}} = 100\%$

Table 10. OPTICAL CHARACTERISTICS

Parameter	Symbol	Value			Unit	notes	
		Min	Typ	Max			
Contrast Ratio	CR	900	1200	-		1	
Surface Luminance, white	$L_{\text{WH}}$	1600	2000		$\text{cd/m}^2$	2	
Luminance Variation	$\delta_{\text{WHITE}}$	80	-		%	3	
Response Time	Gray-to-Gray	G to G	8	12	ms	4	
	Uniformity	$\delta_{\text{G TO G}}$	-	-	1		4
Color Coordinates [CIE1931]	RED	Rx		0.642			
		Ry		0.335			
	GREEN	Gx		0.311			
		Gy	Typ	0.596	Typ		
	BLUE	Bx	-0.03	0.152	+0.03		
		By		0.062			
	WHITE	Wx		0.279			
	Wy		0.292				
Color Temperature			10,000		K		
Color Gamut			68		%		
Viewing Angle (CR>10)							
	x axis, right( $\phi=0^\circ$ )	$\theta_r$ (x axis)	89	-	-	degree	5
	x axis, left ( $\phi=180^\circ$ )	$\theta_l$ (x axis)	89	-	-		
	y axis, up ( $\phi=90^\circ$ )	$\theta_u$ (y axis)	89	-	-		
	y axis, down ( $\phi=270^\circ$ )	$\theta_d$ (y axis)	89	-	-		
Gray Scale			-	2.2	-		6

## Product Specification

notes : 1. Contrast Ratio(CR) is defined mathematically as :

$$\text{Contrast Ratio} = \frac{\text{Surface Luminance with all white pixels}}{\text{Surface Luminance with all black pixels}}$$

It is measured at center 1-point.

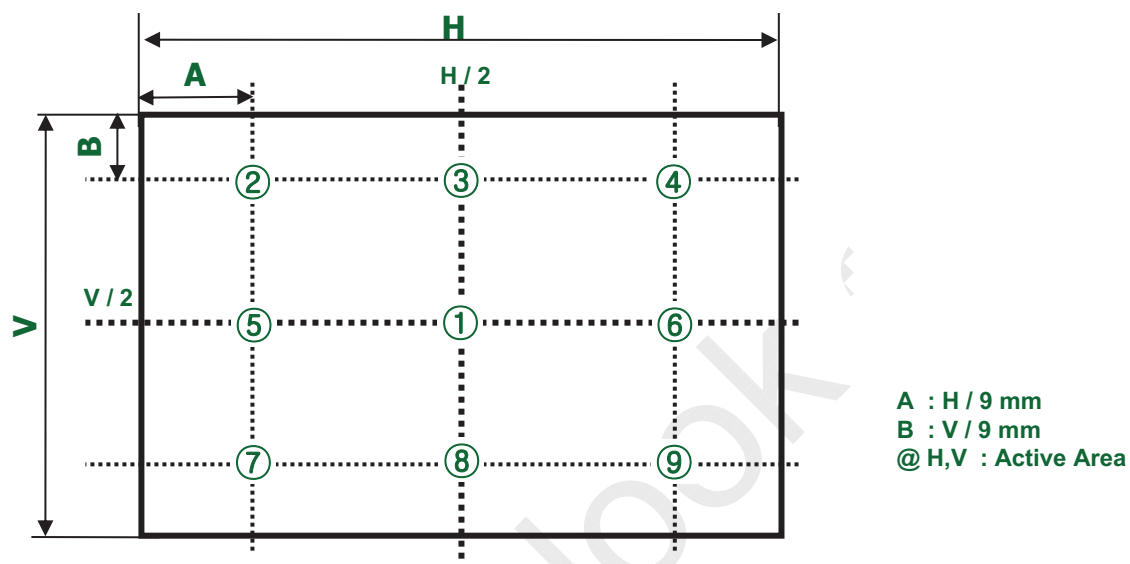
2. Surface luminance is determined after the unit has been 'ON' and 1 Hour after lighting the backlight in a dark environment at  $25 \pm 2^\circ\text{C}$ . Surface luminance is the luminance value at center 1-point across the LCD surface 50cm from the surface with all pixels displaying white. For more information see the FIG. 2
3. The variation in surface luminance , WHITE is defined as :  
 $\text{WHITE(9P)} = \text{Minimum (Lon1, Lon2~ Lon8, Lon9)} / \text{Maximum (Lon1, Lon2~ Lon8, Lon9)} * 100$   
 Where Lon1 to Lon9 are the luminance with all pixels displaying white at 9 locations  
 For more information, see the FIG. 2.
4. Response time is the time required for the display to transit from G(N) to G(M) (Rise Time,  $\text{Tr}_R$ ) and from G(M) to G(N) (Decay Time,  $\text{Tr}_D$ ). For additional information see the FIG. 3. (N<M)  
 ※ G to G Spec stands for average value of all measured points.  
 Photo Detector : RD-80S / Field :  $2^\circ$   
 ※. Gray to Gray Response time uniformity is Reference data. Appendix V
5. Viewing angle is the angle at which the contrast ratio is greater than 10. The angles are determined for the horizontal or x axis and the vertical or y axis with respect to the z axis which is normal to the LCD module surface. For more information, see the FIG. 4.
6. Gray scale specification  
 Gamma Value is approximately 2.2. For more information, see the Table 12.

**Table 11. GRAY SCALE SPECIFICATION**

Gray Level	Luminance [%] (Typ)
L0	0.83
L63	0.27
L127	1.04
L191	2.49
L255	4.68
L319	7.66
L383	11.5
L447	16.1
L511	21.6
L575	28.1
L639	35.4
L703	43.7
L767	53.0
L831	63.2
L895	74.5
L959	86.7
L1023	100

## Product Specification

Measuring point for surface luminance & measuring point for luminance variation.



Response time is defined as the following figure and shall be measured by switching the input signal for "Gray(N)" and "Gray(M)".

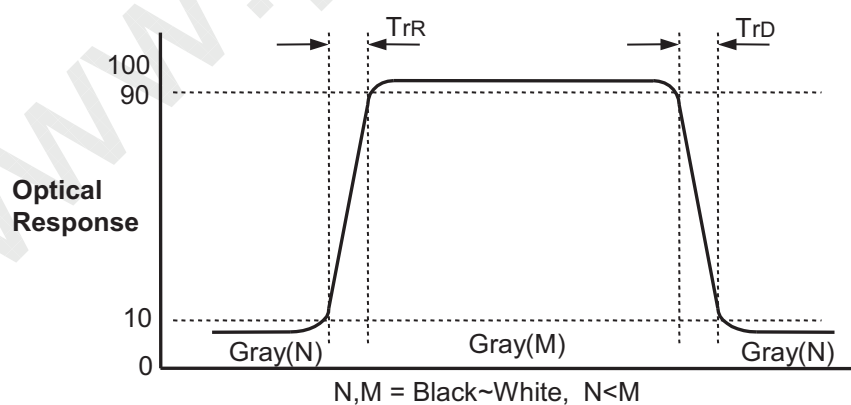


FIG. 3 Response Time

## Dimension of viewing angle range

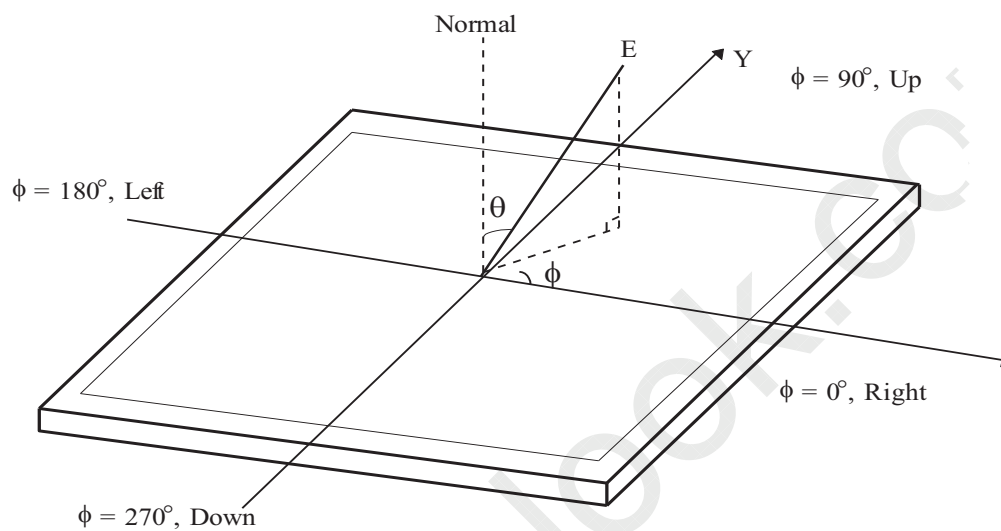


FIG. 4 Viewing Angle

## Product Specification

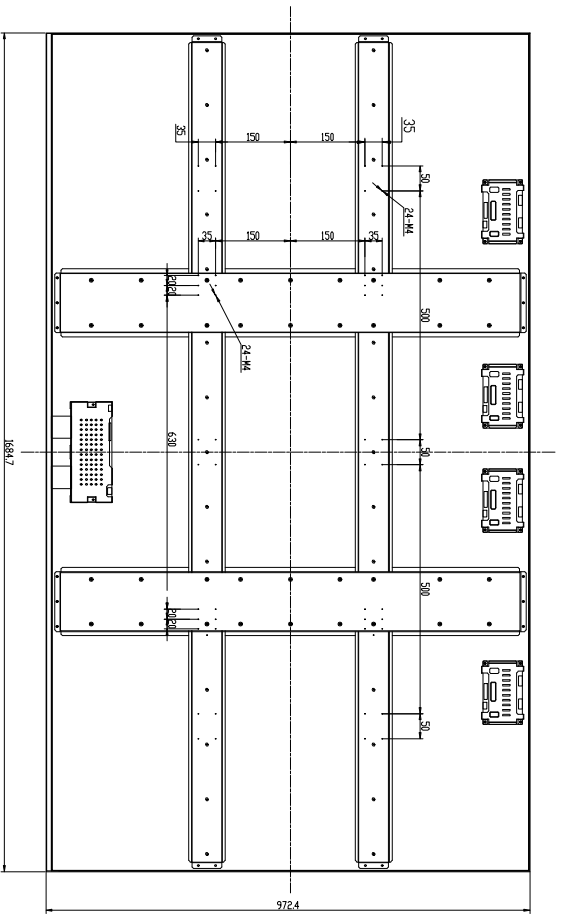
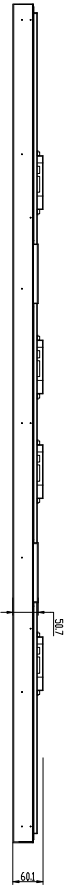
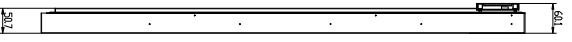
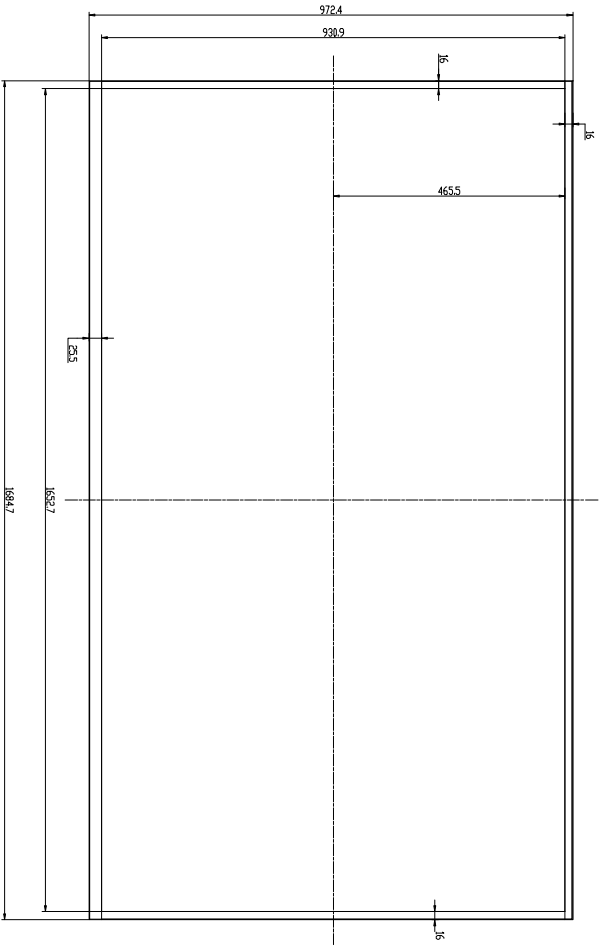
**5. Mechanical Characteristics**

Table 12 provides general mechanical characteristics.

**Table 12. MECHANICAL CHARACTERISTICS**

Item	Value	
Outline Dimension	Horizontal	1682.4mm
	Vertical	975.4 mm
	Depth	60.65 mm
Bezel Area	Horizontal	1652.4 mm
	Vertical	930. mm
Active Display Area	Horizontal	1650.24mm
	Vertical	928.26mm

notes : Please refer to a mechanical drawing in terms of tolerance at the next page.



750D28-GLZX-03





## Product Specification

## 6. Reliability

Table 13. ENVIRONMENT TEST CONDITION

No.	Test Item	Condition
1	High temperature storage test	Ta= 60°C 90% 240h
2	Low temperature storage test	Ta= -20°C 240h
3	High temperature operation test	Ta= 50°C 50%RH 500h
4	Low temperature operation test	Ta= 0°C 500h
5	Humidity condition Operation	Ta= 40 °C ,90%RH
6	Altitude operating storage / shipment	0 - 16,400 ft 0 - 40,000 ft
7	Panel Push Test (Module Condition)	Max 6kgf

## 7. International Standards

### 7-1. Safety

- a) UL 60065, Underwriters Laboratories Inc.  
Audio, Video and Similar Electronic Apparatus - Safety Requirements.
- b) CAN/CSA C22.2 No.60065:03, Canadian Standards Association.  
Audio, Video and Similar Electronic Apparatus - Safety Requirements.
- c) EN 60065, European Committee for Electrotechnical Standardization (CENELEC).  
Audio, Video and Similar Electronic Apparatus - Safety Requirements.
- d) IEC 60065, The International Electrotechnical Commission (IEC).  
Audio, Video and Similar Electronic Apparatus - Safety Requirements.

### 7-2. Environment

- a) RoHS, Directive 2011/65/EU of the European Parliament and of the council of 8 June 2011

## 9. Precautions

Please pay attention to the followings when you use this TFT LCD module.

### 9-1. Mounting Precautions

- (1) You must mount a module using specified mounting holes (Details refer to the drawings).
- (2) You should consider the mounting structure so that uneven force (ex. Twisted stress, Concentrated stress) is not applied to the module. And the case on which a module is mounted should have sufficient strength so that external force is not transmitted directly to the module.
- (3) Please attach the surface transparent protective plate to the surface in order to protect the polarizer. Transparent protective plate should have sufficient strength in order to resist external force.
- (4) You should adopt radiation structure to satisfy the temperature specification.
- (5) Acetic acid type and chlorine type materials for the cover case are not desirable because the former generates corrosive gas of attacking the polarizer at high temperature and the latter causes circuit break by electro-chemical reaction.
- (6) Do not touch, push or rub the exposed polarizers with glass, tweezers or anything harder than HB pencil lead. And please do not rub with dust clothes with chemical treatment. Do not touch the surface of polarizer for bare hand or greasy cloth. (Some cosmetics are detrimental to the polarizer.)
- (7) When the surface becomes dusty, please wipe gently with absorbent cotton or other soft materials like chamois soaked with petroleum benzine. Normal-hexane is recommended for cleaning the adhesives used to attach front / rear polarizers. Do not use acetone, toluene and alcohol because they cause chemical damage to the polarizer
- (8) Wipe off saliva or water drops as soon as possible. Their long time contact with polarizer causes deformations and color fading.
- (9) Do not open the case because inside circuits do not have sufficient strength.
- (10) Touching the LED Driver might cause an electric shock and damage to LED Driver. Please always use antistatic tools when handling the LED Driver

### 9-2. Operating Precautions

- (1) Response time depends on the temperature. (In lower temperature, it becomes longer.)
- (2) Brightness depends on the temperature. (In lower temperature, it becomes lower.)  
And in lower temperature, response time (required time that brightness is stable after turned on) becomes longer
- (3) Be careful for condensation at sudden temperature change. Condensation makes damage to polarizer or electrical contacted parts. And after fading condensation, smear or spot will occur.
- (4) When fixed patterns are displayed for a long time, remnant image is likely to occur.
- (5) Module has high frequency circuits. Sufficient suppression to the electromagnetic interference shall be done by system manufacturers. Grounding and shielding methods may be important to minimize the interference.
- (6) Please do not give any mechanical and/or acoustical impact to LCM. Otherwise, LCM can't be operated its full characteristics perfectly.
- (7) A screw which is fastened up the steels should be a machine screw.  
(if not, it can cause conductive particles and deal LCM a fatal blow)
- (8) Please do not set LCD on its edge.
- (9) The conductive material and signal cables are kept away from LED driver inductor to prevent abnormal display, sound noise and temperature rising.

### 9-3. Electrostatic Discharge Control

Since a module is composed of electronic circuits, it is not strong to electrostatic discharge. Make certain that treatment persons are connected to ground through wrist band etc. And don't touch interface pin directly.

### 9-4. Precautions for Strong Light Exposure

Strong light exposure causes degradation of polarizer and color filter.

### 9-5. Storage

When storing modules as spares for a long time, the following precautions are necessary.

- (1) Store them in a dark place. Do not expose the module to sunlight or fluorescent light. Keep the temperature between 5°C and 35°C at normal humidity.
- (2) The polarizer surface should not come in contact with any other object.  
It is recommended that they be stored in the container in which they were shipped.
- (3) Storage condition is guaranteed under packing conditions.
- (4) The phase transition of Liquid Crystal in the condition of the low or high storage temperature will be recovered when the LCD module returns to the normal condition.

### 9-6. Appropriate Condition for Commercial Display

- Generally large-sized LCD modules are designed for consumer applications (TV).

Accordingly, a long-term display like in Commercial Display application, can cause uneven display including image sticking. To optimize module's lifetime and function, several operating usages are required.

#### 1. Normal operating condition

- Temperature: 0 ~ 40 °C
- Operating Ambient Humidity : 10 ~ 90 %
- Display pattern: dynamic pattern (Real display)
- Note) Long-term static display can cause image sticking.

#### 2. Operating usages under abnormal condition

##### a. Ambient condition

- Well-ventilated place is recommended to set up Commercial Display system.

##### b. Power and screen save

- Periodical power-off or screen save is needed after long-term display.