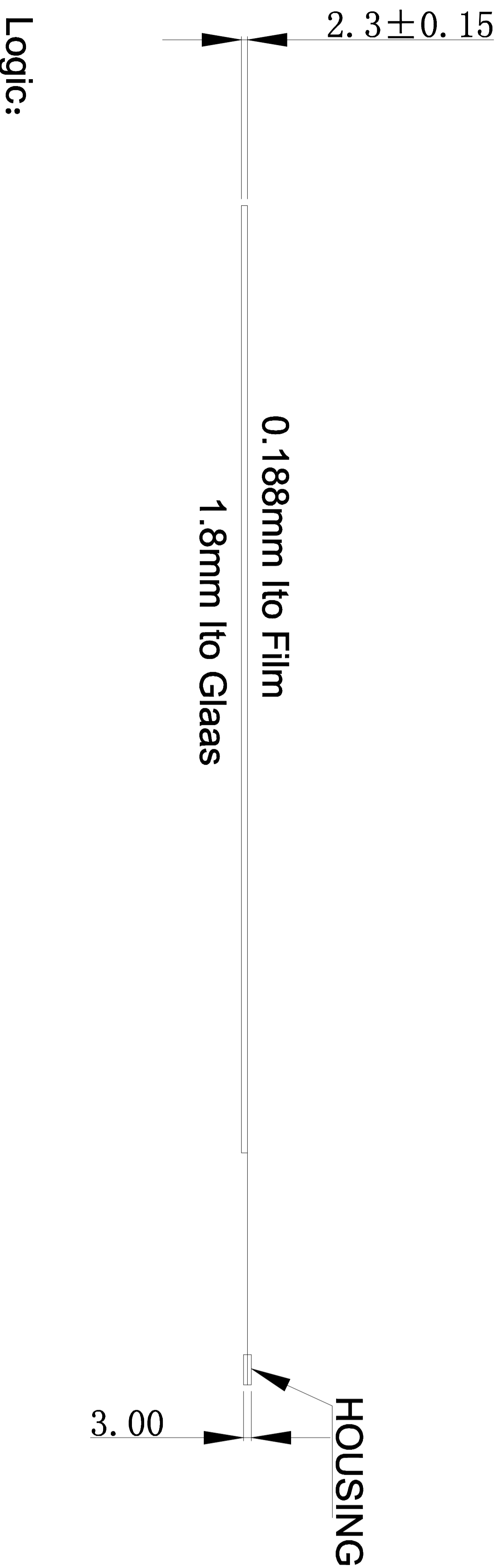


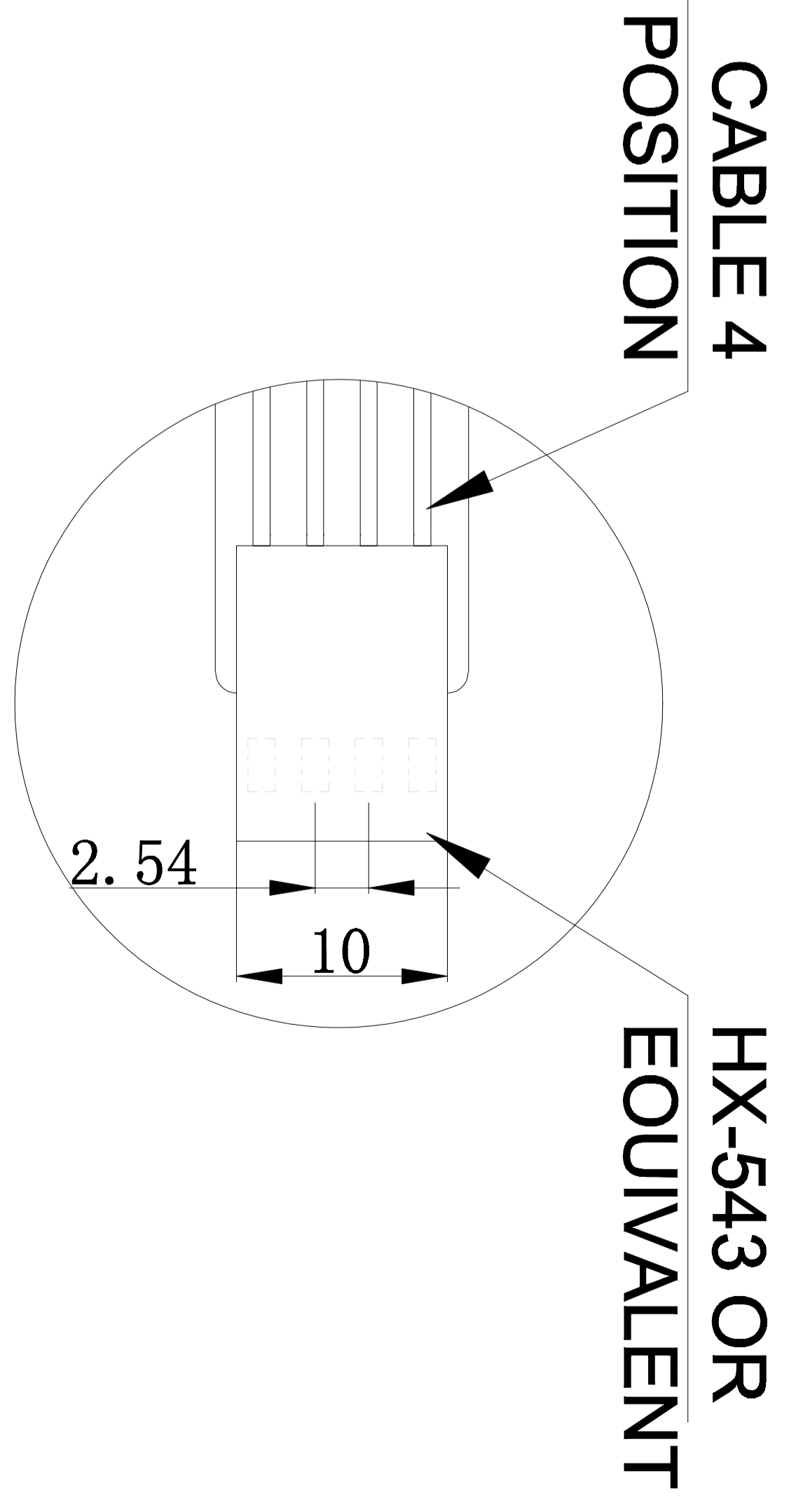
由 Autodesk 教育版产品制作

由 Autodesk 教育版产品制作



Notes:

- 1.Type:Film to Glass
- 2.Operating Voltage:≤10V
- 3.Operation Temperature:-20℃~65℃
Storage Temperature:-30℃~70℃
- 4.Life Time:1.000.000 times
- 5.Connect Material:FPC
- 6.Response Time:≤10ms
- 7.Linearity:≤1.5%
- 8.Transmittance:≥75%
- 9.Surface Hardness≥3H(pencil)
- 10.Operation force:60g~150g
- 11.Resistance:X:480-1174Ω Y:152Ω-371Ω



TOLERANCES (UNLESS OTHERWISE STATED)

| DECIMALS | ANGLES | ±0.5% |
|-----------------|---------|-------|
| >2000MM | ±2.00MM | |
| 1600< X ≤2000MM | ±1.20MM | |
| 1200< X ≤1600MM | ±0.80MM | |
| 800< X ≤1200MM | ±0.50MM | |
| 400< X ≤800MM | ±0.40MM | |
| 120< X ≤400MM | ±0.30MM | |
| 30< X ≤120MM | ±0.20MM | |
| <30MM | ±0.10MM | |

| | | | | | |
|-----------|-----|-------------------------------|--------------|---------|-------|
| | | Greentouch Technology Co.,Ltd | | | |
| | | Model No.: | GT-4W-156A-1 | Size | 15.6" |
| Structure | G+F | Unit | mm | Scale | 1:1 |
| Design | 李俊 | Date | 2020.08.18 | Page | 1/1 |
| Check | 付作丰 | Date | 2020.08.18 | Version | A0 |
| Release | 汪陈 | Date | 2020.08.18 | | |